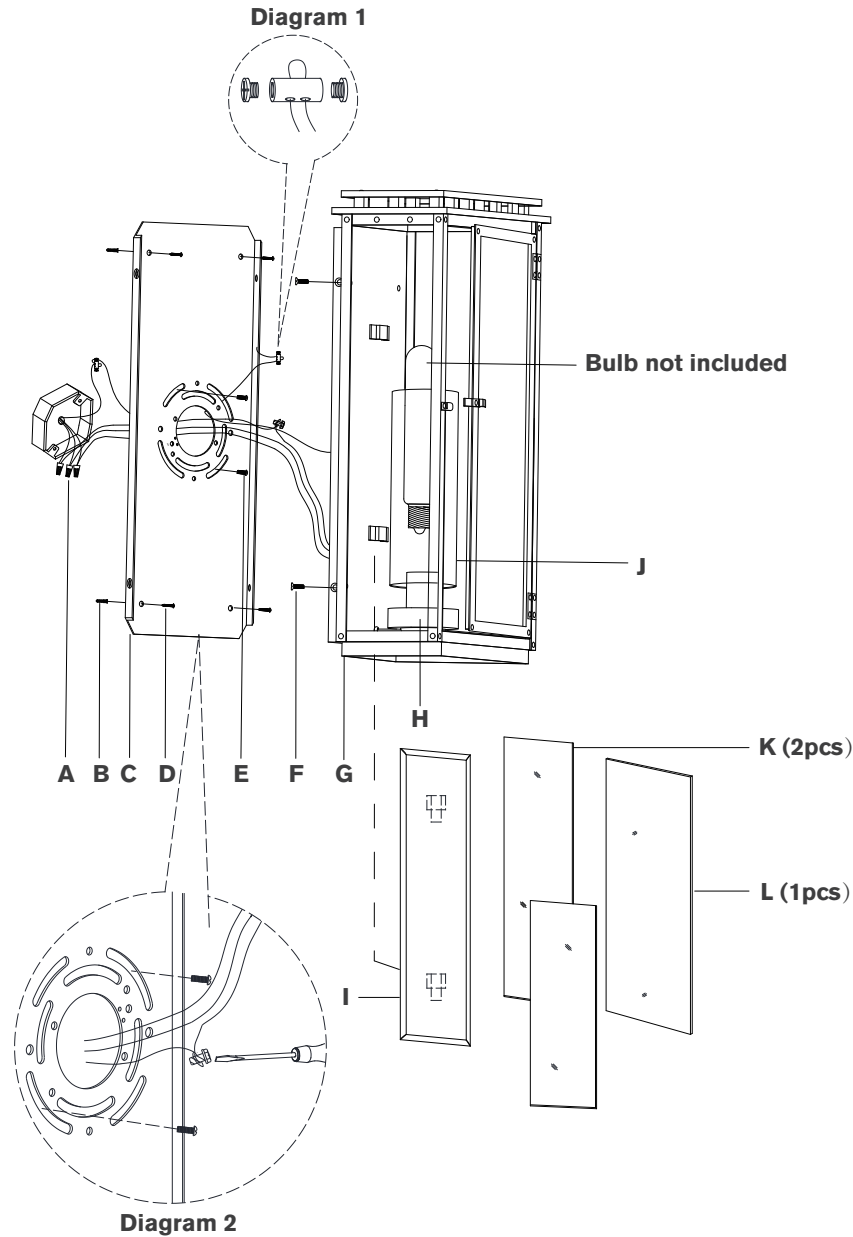


ASSEMBLY INSTRUCTIONS



Cheshire Large 3/4 Wall Lantern

Item # CHO 2606

NOTICE:

This light fixture should be installed in accordance with all applicable, local installation codes, and by a person familiar with the construction and operation of it, as well as the hazards involved. Inspect item and contents carefully. If any damage or defect is found, do not install. Retain all packaging material until installation is complete and approved.

10. Install fixture body **(G)** to mounting plate **(C)** and secure with screws **(F)**.
11. Hang reflector **(I)** to fixture frame **(G)**.
12. Open the door, Install glass panels **(K)** to the side of fixture frame **(G)** and secure it by bending metal tabs.
13. Install glass panel **(L)** to the door and secure it by bending metal tabs.
14. Place glass shade **(J)** onto holder **(H)**.
15. Install light bulb into the socket, then close the door.

Care Instructions: Clean only with a soft dry cloth or feather duster. Do not use abrasive or chemical agents.